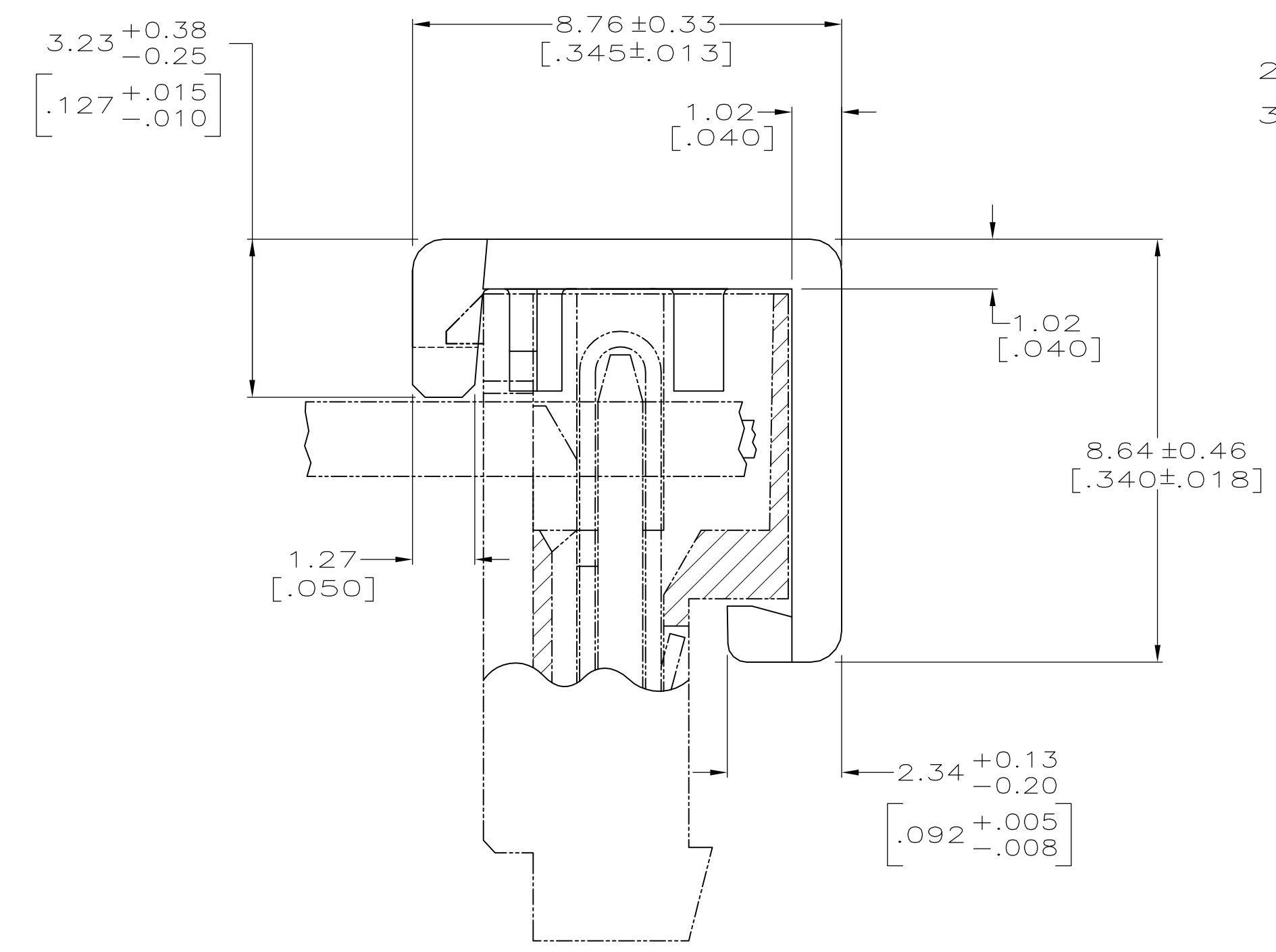
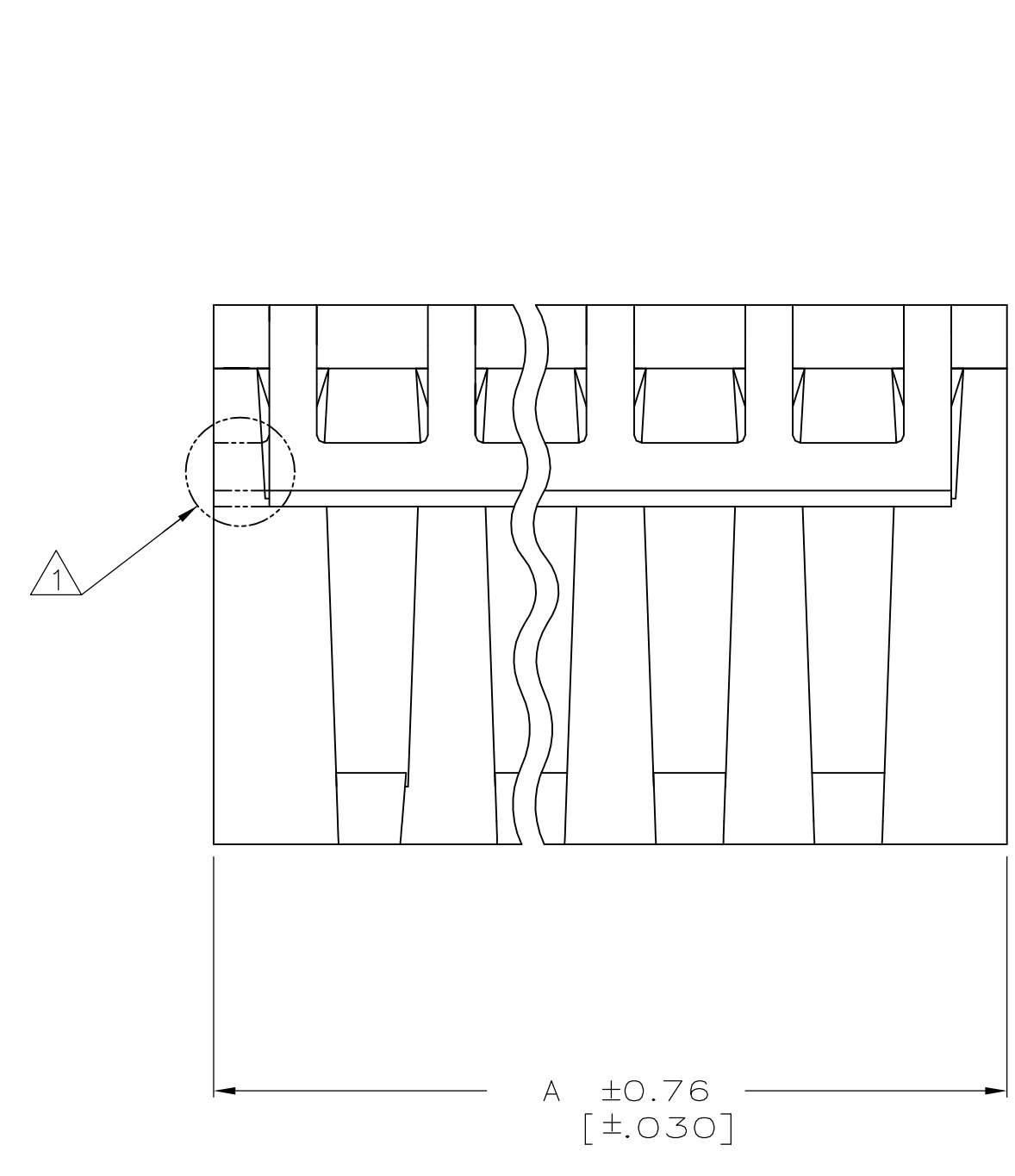
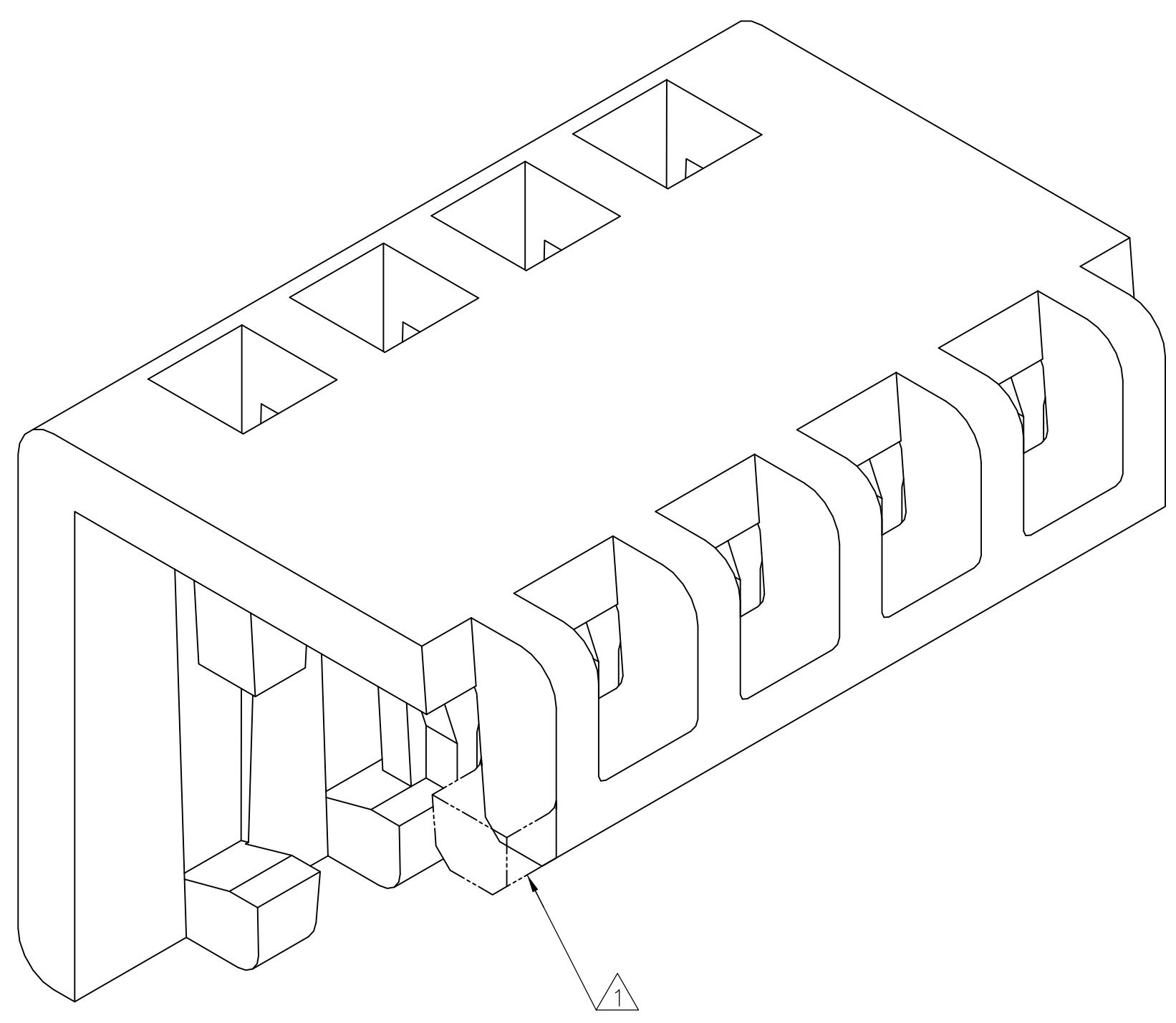


| LOC |    | DIST                      |         | REVISIONS |      |  |  |
|-----|----|---------------------------|---------|-----------|------|--|--|
| P   | LR | DESCRIPTION               | DATE    | DWN       | APVD |  |  |
| G2  |    | REVISED PER ECO-11-010839 | 26MAY11 | RK        | HMR  |  |  |



- △ PART MAY BE MOLDED TO DESIRED POSITION SIZE OR CUT TO DESIRED POSITION SIZE FROM A LARGER POSITION SIZE PART. WHEN PART IS CUT TO DESIRED POSITION SIZE, A PORTION OF FRONT LOCKING BAR WILL REMAIN ATTACHED.
2. DIMENSIONS IN BRACKETS ARE IN INCHES.
  3. TWO POSITION (-2) PARTS WILL BE MOLDED ONLY.



3-DIMENSIONAL MODEL  
NTS

|                                     |                   |       |         |            |         |
|-------------------------------------|-------------------|-------|---------|------------|---------|
| 28                                  | CIRCUIT ASSEMBLES | 71.12 | [2.800] | 2-643075-8 |         |
| 27                                  | CIRCUIT ASSEMBLES | 68.58 | [2.700] | 2-643075-7 |         |
| 26                                  | CIRCUIT ASSEMBLES | 66.04 | [2.600] | 2-643075-6 |         |
| 25                                  | CIRCUIT ASSEMBLES | 63.50 | [2.500] | 2-643075-5 |         |
| 24                                  | CIRCUIT ASSEMBLES | 60.96 | [2.400] | 2-643075-4 |         |
| 23                                  | CIRCUIT ASSEMBLES | 58.42 | [2.300] | 2-643075-3 |         |
| 22                                  | CIRCUIT ASSEMBLES | 55.88 | [2.200] | 2-643075-2 |         |
| 21                                  | CIRCUIT ASSEMBLES | 53.34 | [2.100] | 2-643075-1 |         |
| 20                                  | CIRCUIT ASSEMBLES | 50.80 | [2.000] | 2-643075-0 |         |
| 19                                  | CIRCUIT ASSEMBLES | 48.26 | [1.900] | 1-643075-9 |         |
| 18                                  | CIRCUIT ASSEMBLES | 45.72 | [1.800] | 1-643075-8 |         |
| 17                                  | CIRCUIT ASSEMBLES | 43.18 | [1.700] | 1-643075-7 |         |
| 16                                  | CIRCUIT ASSEMBLES | 40.64 | [1.600] | 1-643075-6 |         |
| 15                                  | CIRCUIT ASSEMBLES | 38.10 | [1.500] | 1-643075-5 |         |
| 14                                  | CIRCUIT ASSEMBLES | 35.56 | [1.400] | 1-643075-4 |         |
| 13                                  | CIRCUIT ASSEMBLES | 33.02 | [1.300] | 1-643075-3 |         |
| 12                                  | CIRCUIT ASSEMBLES | 30.48 | [1.200] | 1-643075-2 |         |
| 11                                  | CIRCUIT ASSEMBLES | 27.94 | [1.100] | 1-643075-1 |         |
| 10                                  | CIRCUIT ASSEMBLES | 25.40 | [1.000] | 1-643075-0 |         |
| 9                                   | CIRCUIT ASSEMBLES | 22.86 | [.900]  | 643075-9   |         |
| 8                                   | CIRCUIT ASSEMBLES | 20.32 | [.800]  | 643075-8   |         |
| 7                                   | CIRCUIT ASSEMBLES | 17.78 | [.700]  | 643075-7   |         |
| 6                                   | CIRCUIT ASSEMBLES | 15.24 | [.600]  | 643075-6   |         |
| 5                                   | CIRCUIT ASSEMBLES | 12.70 | [.500]  | 643075-5   |         |
| 4                                   | CIRCUIT ASSEMBLES | 10.16 | [.400]  | 643075-4   |         |
| 3                                   | CIRCUIT ASSEMBLES | 7.62  | [.300]  | 643075-3   |         |
| 2                                   | CIRCUIT ASSEMBLES | 5.08  | [.200]  | 643075-2   |         |
| USE ON MTA 100 ASSEMBLIES AS LISTED |                   |       |         | A          | PART NO |

|  |                |      |    |                  |  |  |  |
|--|----------------|------|----|------------------|--|--|--|
| THIS DRAWING IS A CONTROLLED DOCUMENT. |                | DWN  | -- | STE              |  | TE Connectivity                            |  |
| DIMENSIONS: mm [INCHES]                |                | CHK  | -- | NAME             |  | COVER, MOLDED, .060 MAX O.D. WIRE, MTA-100 |  |
| TOLERANCES UNLESS OTHERWISE SPECIFIED: |                | APVD | -- | PRODUCT SPEC     |  | APPLICATION SPEC                           |  |
| 0 PLC                                  | ± .005         |      |    | SIZE             |  | CAGE CODE                                  |  |
| 1 PLC                                  | ± .005         |      |    | DRAWING NO       |  | A1 00779                                   |  |
| 2 PLC                                  | ± .005         |      |    | SCALE            |  | 10:1                                       |  |
| 3 PLC                                  | ± 0.13 [.005]  |      |    | SHEET            |  | 1 OF 1                                     |  |
| 4 PLC                                  | ± .005         |      |    | REV              |  | G2   |  |
| ANGLES                                 | ± .005         |      |    | CUSTOMER DRAWING |  |  |  |
| MATERIAL                               | NYLON,UL 94V-2 |      |    |                  |  |  |  |
| FINISH                                 | WHITE          |      |    |                  |  |  |  |

